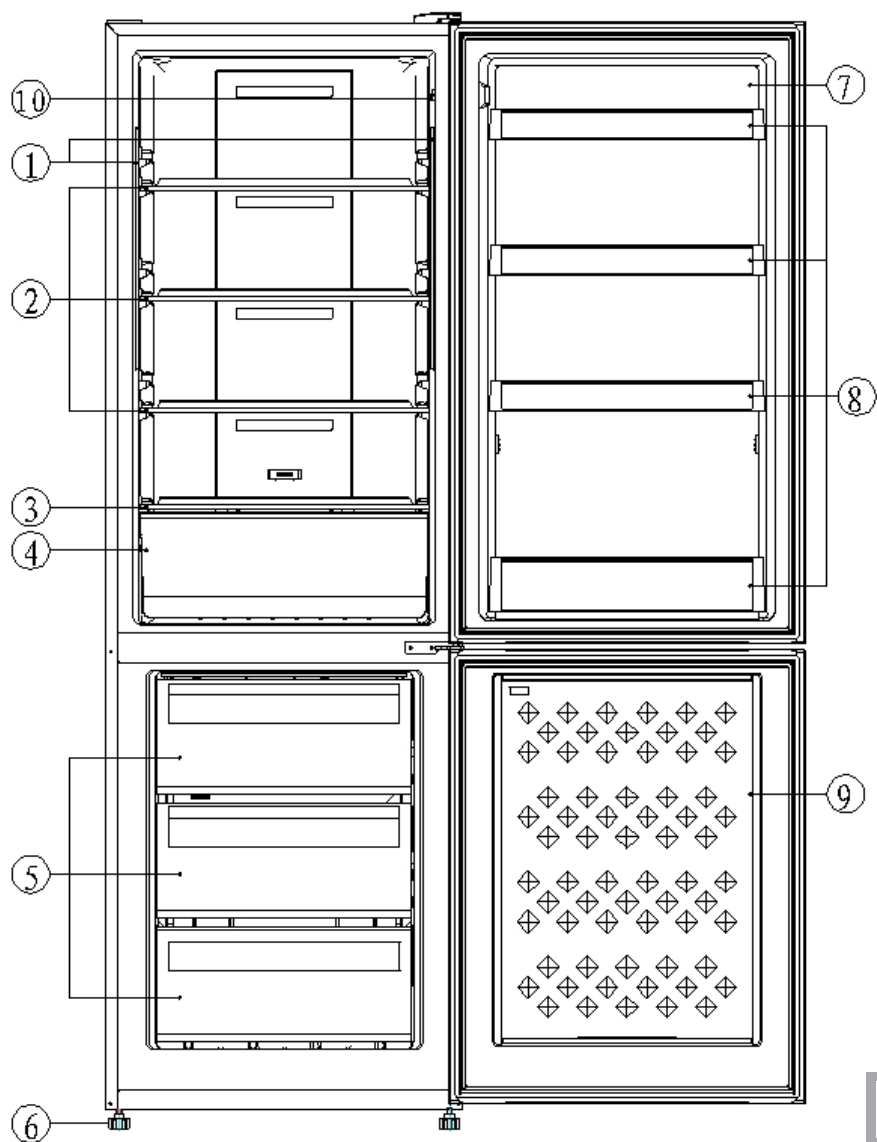


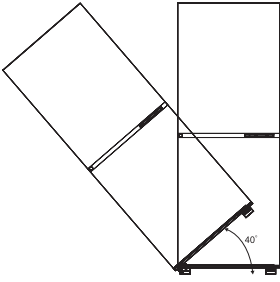
Amica

FK321.3DF
FK321.3DFX

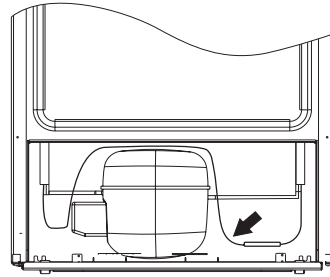
Sticker with appliance serial no



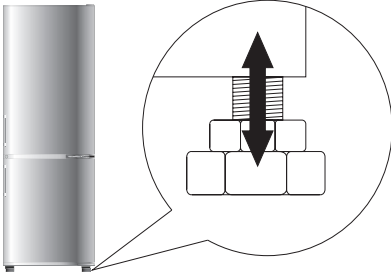
1



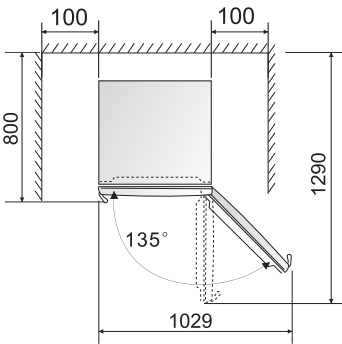
2



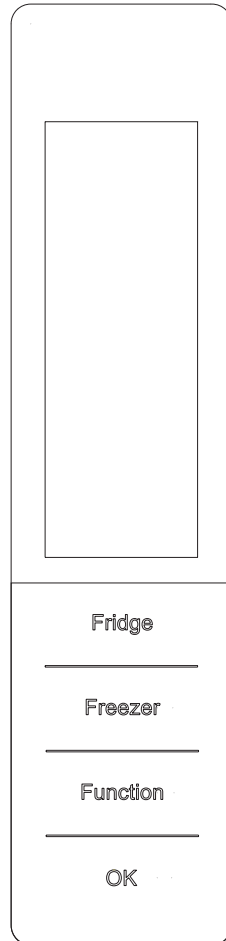
8



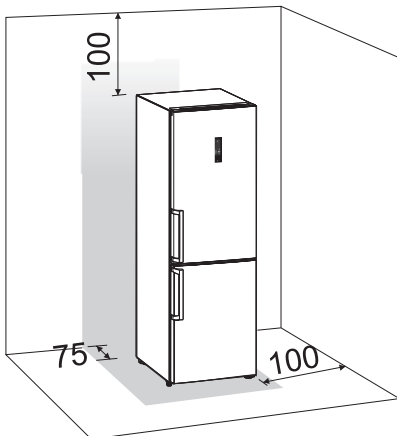
3



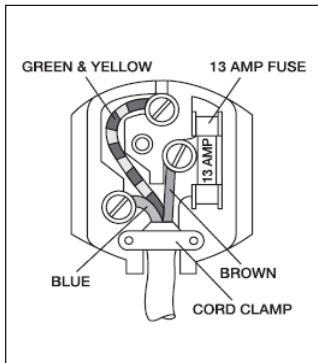
5



10

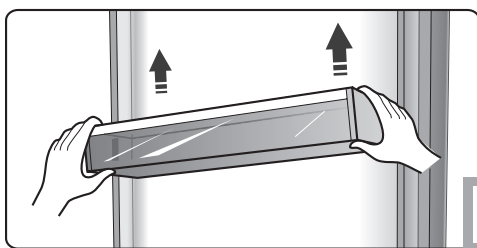
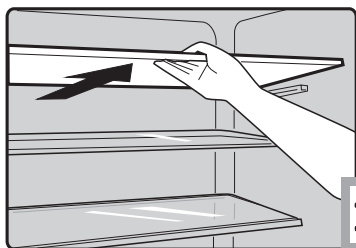
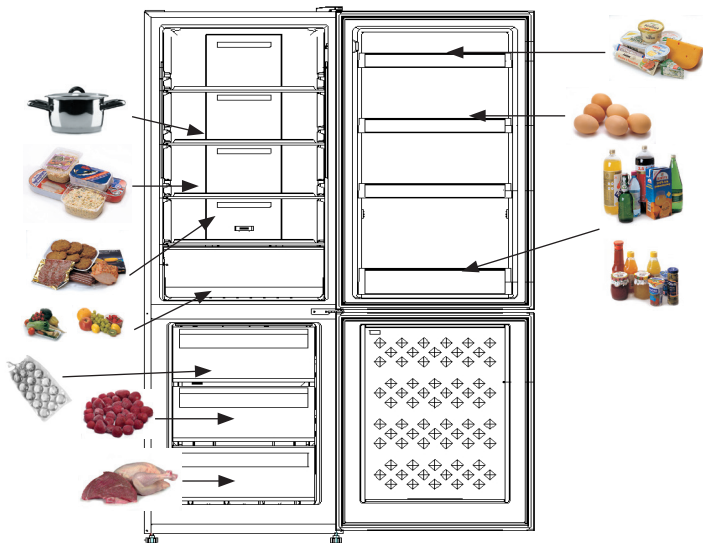
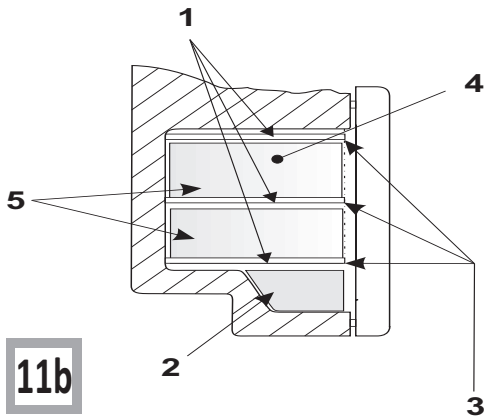


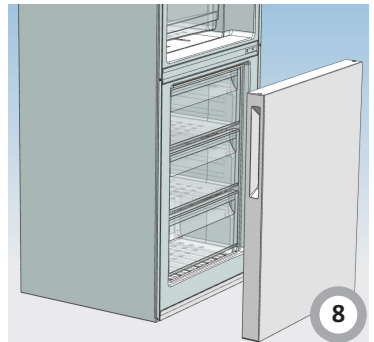
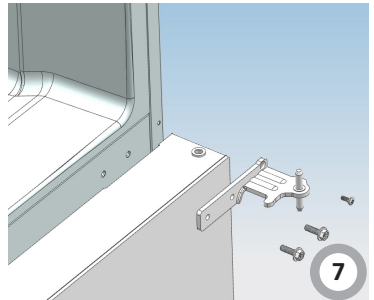
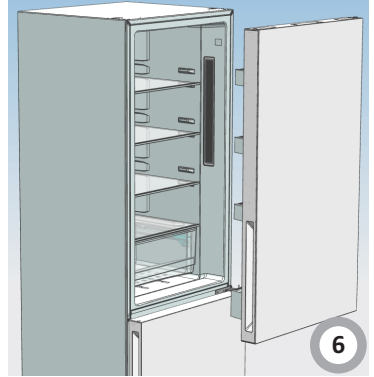
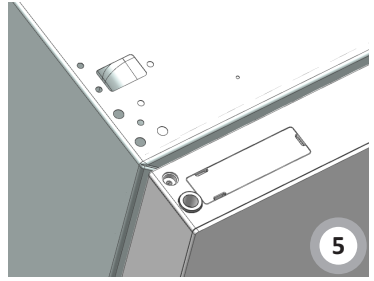
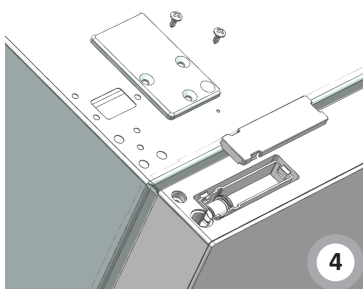
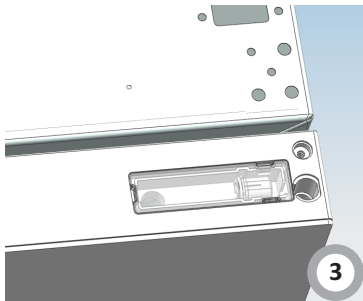
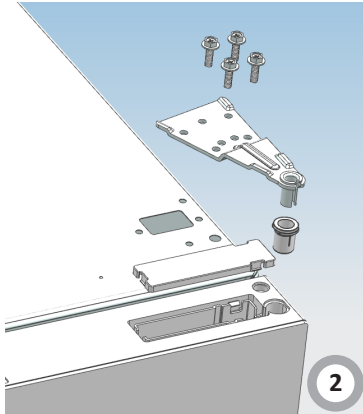
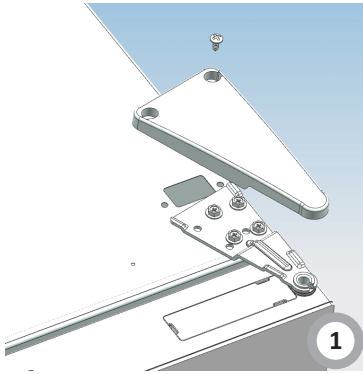
6

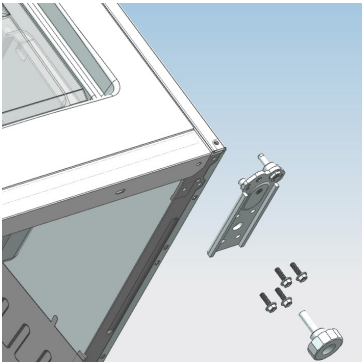


9

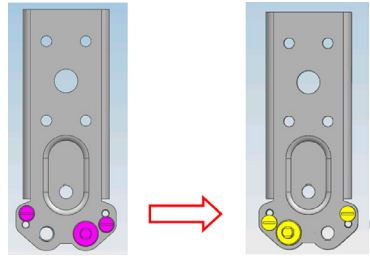
11b



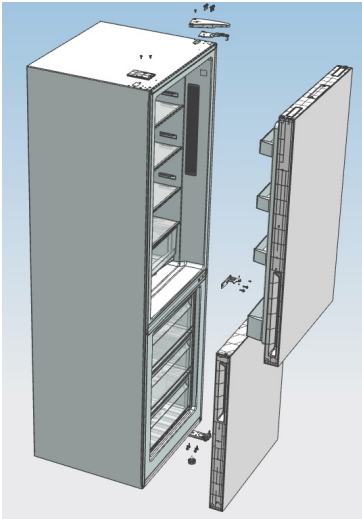




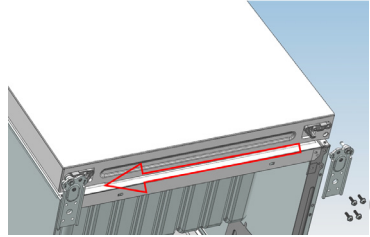
9



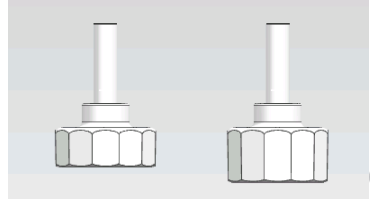
13



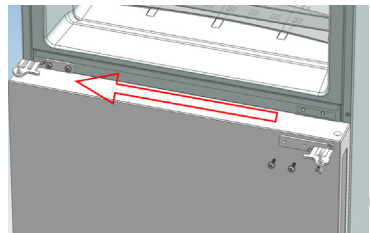
10



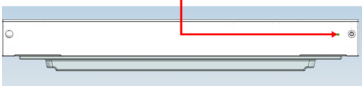
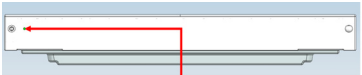
14



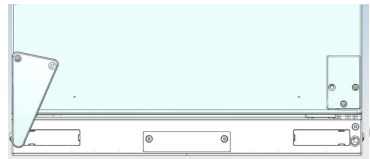
15



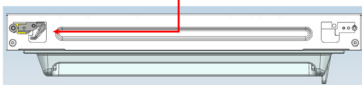
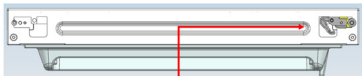
16



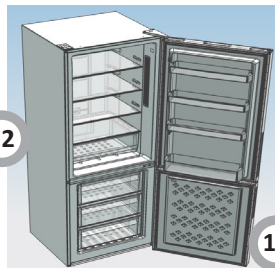
11



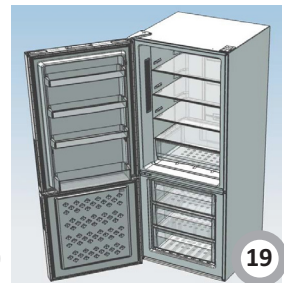
17



12



18

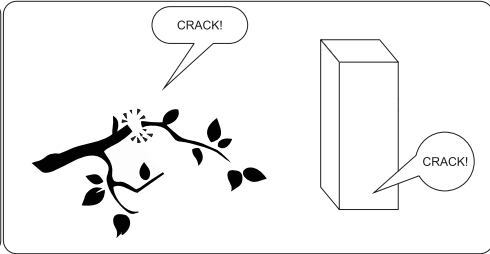
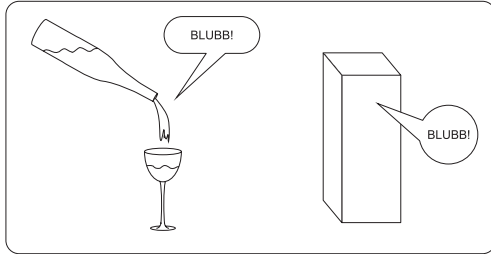
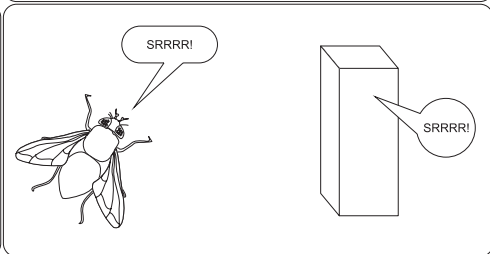
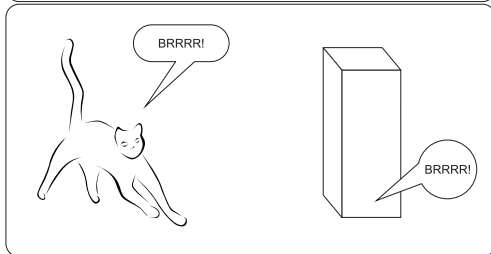
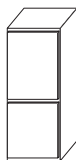


19

OK!



BRRRR!
HSSSSS!
SRRRR!
CLICK!
CRACK!
BLUBB!



THANK YOU FOR PURCHASING AN AMICA APPLIANCE

EN

DEAR CUSTOMER!

Your appliance is exceptionally easy to use and extremely efficient. Before being packaged and leaving the manufacturer, the appliance was thoroughly checked with regard to safety and functionality.

Before using the appliance, please carefully read these Operating Instructions

GUIDELINES CONCERNING THE SAFETY OF USE	9
INSTALLATION AND OPERATING CONDITIONS OF THE APPLIANCE	12
OPERATION AND FUNCTIONS	13
USING THE REFRIGERATOR EFFICIENTLY	15
DEFROSTING, WASHING AND MAINTENANCE	16
TROUBLE-SHOOTING	17
ENVIRONMENTAL PROTECTION	18
CLIMATE RANGE	18
WARRANTY AND AFTER-SALE SERVICES	19
ITEMS OF EQUIPMENT	19
CHANGING THE DIRECTION OF THE DOOR OPENING	20



Figures in this user manual are for illustrative purposes only. Full appliance fittings are listed in a relevant section.



The appliance is intended for household use only.

The manufacturer reserves the right to introduce changes which do not affect the operation of the appliance.



Some provisions in this user manual are unified for refrigerating products of different types (for a refrigerator, refrigerator-freezer or freezer)

The Manufacturer shall not be held liable for damage arising from the failure to observe the instructions contained in this manual.

Keep this manual for future reference, or to pass it over to the next user.

This appliance is not intended for use by persons (including children) with limited physical or mental capabilities and persons who lack experience or familiarity with the appliance.

Do not allow children to use the appliance. Do not allow them to play with the appliance. They must not climb inside the drawers and swing on the doors.

The appliance operates properly at the ambient temperature (see product fiche). Do not use it in the cellar, unheated summer cottage during autumn and winter.

When placing, moving, lifting the appliance, do not hold the door handles, do not pull the condenser at the rear part of the refrigerator and do not touch the compressor unit.

When transporting, moving or positioning the fridge-freezer do not tilt it by more than 40° from the vertical position. Should such a situation occur, the appliance should be switched on after minimum 2 hours from its replacement in the right position (fig.2).

Pull the plug out from the mains socket before each maintenance activity. Do not pull on the cord, but hold the body of the plug instead.

The “cracking” sound, which the appliance may emit is caused by the expansion and contraction of parts as a result of temperature variations.

For safety reasons do not repair the appliance yourself. Repairs carried out by persons who do not have the required qualifications may result in serious danger for the user of the appliance.

Air the room in which the appliance is placed for a few minutes (the size of the room for a product containing isobuthane/R600a must be at least 4m³) to avoid damage to the cooling system.

Do not refreeze partly thawed products.

Do not store beverages in bottles and cans, especially carbonated beverages, in the freezer chamber. The cans and the bottles may explode.

Do not put frozen products, taken out directly from the freezer (lollies, ice cubes, etc.) into your mouth, their low temperature may cause severe frost-bite.

Make sure you do not damage the cooling system, by puncturing the refrigerant pipes in the evaporator or breaking the pipes. The refrigerant is flammable. If the refrigerant makes contact with the eyes, rinse them with clean water and call for medical assistance immediately.

If the power wire gets broken, it should be replaced with a new one in a specialist repair shop.

This appliance is intended for food storage, do not use it for other purposes.

When performing activities, such as cleaning, maintenance or moving, the appliance must be completely disconnected from power supply (by pulling the plug out from the socket)

This appliance can be used by children aged 8 years and older or by persons with physical, mental or sensory handicaps, or by those who are inexperienced or unfamiliar with the appliance, provided they are supervised or have been instructed how to safely use the appliance and are familiar with risks associated with the use of the appliance. Ensure that children do not play with the appliance. Cleaning and maintenance of the appliance should not be performed by children unless they are 8 years or older and are supervised by a competent person.

Anti-bacteria System (varies depending on the model. Its presence is indicated by the label inside the appliance chamber) - The Antibacteria System protects foods and products inside the refrigerator from bacteria and mould which may cause unpleasant smells and shorten storage time. The Antibacteria System prolongs the freshness of food. The special material used to construct the fridge liner prevents bacterial, microorganism and mould growth.

In order to obtain more space in the freezer, you can remove the drawers and place the food directly on the shelves. This has no effect on the product mechanical properties and cooling performance. Declared freezer capacity was calculated with the drawers removed.

Installation before using the appliance for the first time

- Take the product out of the package, remove the scotch tape protecting the door and the equipment. Any remaining adhesive stains may be removed with a mild washing agent.
- Do not throw away the polystyrene elements of the packaging. If it is necessary to transport the fridge-freezer, pack it in the polystyrene elements and film as well as protecting it with scotch tape
- Clean the interior surface of the fridge-freezer and the elements of the equipment with a washing agent dissolved in lukewarm water, then wipe it dry.
- Place the fridge-freezer on an even, flat and stable surface, in dry, aired and shaded room, far from the heat sources such as: oven, hob, central heating radiators, central heating pipes, hot water installation, etc.
- On the exterior surface of the product may be a protective foil, this foils should be removed.
- Make sure the appliance is placed in a horizontal position by screwing in the 2 adjustable front legs (fig. 3)
- To ensure that the door opens freely, the distance between the side of the appliance (on door hinges side) and the wall is shown on figure 5.*
- Ensure adequate ventilation of the room and free air circulation from all sides of the appliance (fig. 6).*

Minimum distances from the heat sources

- from the electric gas and other ovens - 30 mm,
- from oil or coal fired ovens - 300 mm,
- from built-in ovens - 50 mm

If there is no possibility of ensuring the above-mentioned distances, provide an appropriate insulation board.

- The rear wall of the refrigerator, in particular, the condenser and other elements of the cooling system must not contact other elements, which may damage them, (e.g. central heating pipes and the water supply pipes).
- It is forbidden to readjust or modify any parts of the unit. It is crucial not to damage the capillary tube visible in the compressor recess. The tube may not be bent, straightened or wound.
- If the capillary tube is damaged by the user the guarantee will be void (fig. 8).
- In some models the handle is put into the appliance, You should screw it with Your own screwdriver,

Mains connection

- Prior to connection, it is recommended to set the temperature control knob to an „OFF” or other position that disconnects the appliance from the power supply (See page with the control description).
- This appliance should be connected to AC 220-240V 50Hz supply socket. The socket must be fitted properly, and must be supplied with an earthing conduit and a 10A fuse.
- It is a legal requirement that the appliance is properly earthed. The manufacturer will not be held liable for any damage or injury which may result from the failure to fulfil this requirement.
- Do not use adapters, multiple sockets and two-wire extension leads. If it is necessary to use the extension lead, it must be equipped with a protection ring and a single socket and must have a VDE/GS safety certificate.
- If an extension lead is used (with a protection ring and safety certificate), its socket must be located at a safe distance, away from the sinks, and must not be in a place where it could be flooded by water or waste water.
- See the type plate at the lower part of the internal wall of the appliance for detailed specifications**.

Disconnecting the mains

- Make sure the appliance can be easily disconnected from the mains, either by pulling the plug out of the mains socket, or by switching the two-pole switch off (fig. 9).

* Only freestanding appliances

** According to the model

Control panel (Fig. 10).

START

Testing

1. Clean the parts of the refrigerator with lukewarm water containing a little neutral detergent and with clear water, and wipe them dry.

Notes: Electric parts of the refrigerator can only be wiped by dry cloth.

2. Turn on electricity. The compressor begin to work.

3. Open the door 30 minutes later, if the temperature in the refrigerator decreased obviously, it shows that the refrigerator system works well. When the refrigerator operates for a period of time, the temperature controller will automatically set the temperature within limits it opens.

The display is located in the middle of the refrigerator door. Please refer to the below figure for the layout.

introduction of the buttons

- 1 Fridge: to set the refrigerator temperature
 - 2 Freezer: to set the freezer temperature
 - 3 Function: to choose functions of fast cooling, fast freezing, SmartECO and vacation
 - 4 OK: to enter or to quit the existing function
- Function setting

Appliance connected to power at the first time

When the appliance is connected to power at the first time, the display will be lit for 2 seconds before going normal and the appliance runs with SmartECO function.

Display control

When the refrigerator door is closed and there is no button operation in 3 minutes, the display light goes off.

When the display light is off, open the refrigerator door or click any button to light it up.

Temperature setting

1) Click the "refrigerator" or "freezer" button and when it flickers in the symbol, temperatures can be set; each time when the button is clicked, the temperature changes accordingly (the display shows the temperature accordingly). (Temperatures cannot be set under functions of fast cooling, fast freezing, SmartECO and vacation.)

2) Under temperature setting, if there is no button operation in 5 seconds, the button stops flickering and the set temperature comes into effect.

3)Temperature cycle

Refrigerator: 2°C → 3°C → 4°C → 5°C → 6°C → 7°C → 8°C → OFF → 2°C

Freezer: -24°C → -23°C → -22°C → -21°C → -20°C → -19°C → -18°C → -17°C → -16°C → -24°C

SmartECO

Under SmartECO, it is 4°C in the refrigerator and -18°C in the freezer.

Temperatures cannot be changed and you can click the temperature zone button to check the temperature

1) To enter SmartECO

Click "option" until it flickers and then click "OK" to enter this function.

2) To quit SmartECO

Under SmartECO, click "option" until it goes to SmartECO, click "OK" to quit this function and the light goes off.

Temperatures of each chamber go back to the value before SmartECO function.

Fast cooling

Under fast cooling, it is 2°C in the refrigerator and the refrigerator temperature cannot be changed.

1) To enter fast cooling

Click "option" until it flickers in "fast cooling" and then click "OK" to enter this function.

2) To quit fast cooling

Under fast cooling, click "option" until it goes to "fast cooling" and then click "OK" to quit this function.

The light in fast cooling goes off and the refrigerator temperature goes back to the value before fast cooling.

Fast freezing

Under fast freezing, refrigerator temperature can be set but not for the freezer temperature.

1) To enter fast freezing

Click "option" until it flickers in "fast freezing" and then click "OK" to enter this function.

2) To quit fast cooling

Under fast freezing, click "option" until it goes to "fast freezing" and then click "OK" to quit this function.

The light in fast freezing goes off and the freezer temperature goes back to the value before fast freezing.

When fast freezing time is up (26 hours), it quits automatically.

When it goes to SmartECO, fast freezing stops.

Vacation

Under vacation, it is 14°C in the refrigerator and the temperatures in this chamber cannot be changed.

1) To enter vacation

Click "option" until it flickers in "fast freezing" and then click "OK" to enter this function.

2) To quite vacation

Under vacation, click "option" until it goes to "vacation" and then click "OK" to quit this function.

The light in vacation goes off and the refrigerator temperature goes back to the value before vacation.

Vacation quits under functions of SmartECO and fast cooling.

Power off memory

With this design, the refrigerator can automatically keep all the setting in case of power off. When the unit is plugged in again, the refrigerator will run with the setting before power off.

Power-On Delay

To prevent harm to the refrigerator in case of sudden power cut and power on, the unit does not start immediately if the power off time is less than 5 minutes.

Freezer over-temperature alarm (only in case of power on)

When the freezer temperature is higher than 10°C at the first time connected to power, the symbol light of the freezer chamber goes on and the number representing temperature flickers.

Press any button or wait for 5 seconds, flickering stops and it goes back to the temperature that was set.

Refrigerator door opening alarm

When the refrigerator is open over 3 minutes, the buzzer will buzz. Close the door or press any button to stop the alarm, but for the latter, the alarm will go off again after 3 minutes.

Sensor fault alarm

When it shows "E0", "E1", "E2" or other abnormal symbols, it means sensor faults and the refrigerator needs repair.

Storage of food in the fridge-freezer

Observe the following recommendations to ensure the food remains fresh.

- The products should be placed on plates, in containers or packed in food wrap. Distribute them evenly over the shelves.
- If the food contacts the rear wall, it may cause frosting or wetting of the products.
- Do not put dishes with hot food into the fridge
- Products which absorb flavours easily such as butter, milk, white cheese and products with intense flavour, such as fish, smoked meat, hard cheese must be placed on shelves, packed in food wrap or in tightly sealed containers.
- The storage of vegetables containing significant quantities of water will cause the deposition of condensation on the vegetable containers, it does not impact on the proper functioning of the fridge.
- Before putting the vegetables into the fridge, dry them well.
- Excessive moisture shortens the shelf life of vegetables, especially the leafed vegetables.
- Do not wash the vegetables before storing in the refrigerator. Washing removes the natural protection, therefore it is better to wash the vegetables directly before consumption.
- It is recommended to place the products in freezer drawers 1, 2, 3* up to natural loading capacity (Fig. 11a / 11b).**

1. Packed products
2. Shelf
3. Natural loading capacity
4. (*/***)

- Stacking of products on the freezer shelves is acceptable.*
- It is acceptable to place products beyond the natural loading capacity by 20-30 mm.**
- In order to increase the loading capacity of the freezer chamber and allow the stacking of products on the freezer evaporator wire shelves up to maximum height it is possible to remove drawers 1 and 2.*

Freezing food**

- Practically all the food products, except for vegetables consumed raw, such as lettuce can be frozen.
- Only food products of the highest quality, divided into small portions for single use, should be frozen.
- Products should be packed in materials that are odourless, resistant to air and moisture penetration, and not susceptible to fat. Plastic bags, polyethylene and aluminium sheets are the best wrapping materials.
- The packaging should be tight and should stick to the frozen products. Do not use glass containers.
- Keep fresh and warm foodstuff at ambient temperature away from the products, which have already been frozen.

- We advise you not to place more of fresh food at a time to the freezer per day (see table with technical specification).
- In order to maintain optimum quality of the frozen food, reorganise the food that is in the middle of the freezer, so that it does not touch the products that are not yet frozen.
- It is recommended that you move the already frozen products to one side and place the fresh products that are to be frozen on the opposite side, as close to the rear and side walls as possible.
- To freezing products, use space marked (*/***)
- **Bear in mind that the temperature in the freezer is affected by several factors, including the ambient temperature and the quantity of food products in the chamber, the frequency of opening the door, the amount of frost in the freezer, and the thermostat setting.**
- **If you cannot open the freezer door immediately after closing it, allow 1-2 minutes for the negative pressure to compensate, and try again to open the door.**

The storage time for frozen products depends on their quality before freezing when fresh, and on the storage temperature. The following storage periods are recommended when the temperature of -18°C or lower is maintained::

Products	Months
Beef	6-8
Veal	3-6
Giblets	1-2
Pork	3-6
Poultry	6-8
Eggs	3-6
Fish	3-6
Vegetables	10-12
Fruit	10-12

Do not store frozen food in rapid cooling chamber. Ice cubes can be prepared and stored in this chamber.***

- * Applicable to appliances with a freezer compartment at the bottom of the appliance.
- ** Applicable to appliances with a freezer compartment (*/***)
- *** Not applicable to appliances with a freezer compartment marked (*/***)

USING THE REFRIGERATOR EFFICIENTLY

Practical everyday tips

- Do not place fridges or freezers next to radiators, heaters, stoves or in direct sunlight.
- Make sure that air vents are not covered up and clean the dust off them once or twice a year.
- Select the right temperature: 6 to 8°C in your refrigerator and -18°C in your freezer is sufficient.
- When on holiday, turn up the temperature in your fridge.
- Only open your fridge or freezer when necessary. It helps if you know what food each contains and where it is located. Return food to the fridge or freezer as soon as possible after you have used it so that it does not warm up too much.
- Wipe the inside of your fridge regularly with a cloth soaked in a mild detergent. Appliances which are not self-defrosting will require regular defrosting. Do not allow frost layers thicker than 10 mm to form.
- Keep the seal around the door clean, otherwise it will not shut properly. Always replace broken seals.

Understanding the stars

- * Temperature is at least -6°C; sufficient to store frozen food for about a week. Drawers or compartments marked with one star used to be a feature of (mostly) cheaper fridges.
- ** Food can be stored at -12°C or below for 1-2 weeks without losing its taste. Not suitable for freezing food.
- *** This rating is mainly used to store foods at -18°C or below. Can also be used to freeze up to 1 kilogram of fresh food.
- **** This appliance is suitable for storing foods at -18°C or below and freezing larger quantities of fresh foods.

Storage zones in the refrigerator

- Due to the natural circulation of the air in the appliance, there are different temperature zones in the refrigerator chamber.
- The coldest area is directly above the vegetables drawers. Use this area for all delicate and highly perishable food e.g.
 - Fish, meat, poultry
 - Sausage products, ready meals
 - Dishes or baked goods containing eggs or cream
 - Fresh dough, cake mixtures
 - Pre-packed vegetable and other fresh food with a label stating it should be kept at a temperature of approx 4°C.
- The warmest area is in the top section of the door. Use this for storing butter and cheese.

Food that should not be stored in a refrigerator

- Not all food is suitable for storing in the refrigerator, particularly:
 - Fruit and vegetables which are sensitive to cold, such as bananas, avocado, papaya, passion fruit, aubergines, peppers, tomatoes and cucumbers.
 - Fruit which is not yet ripe
 - Potatoes

Example of storing the food - see figure 12.

Never clean the product's casing or plastic parts using solvents or strong, abrasive detergents (e.g. washing powders or creams)! Use mild liquid detergents and soft cloths only. Do not use sponges.

Defrosting the fridge***

- Frost settles on the rear wall of the fridge chamber. It is removed automatically. During the defrosting, the condensate, which contains contaminants may clog the opening in the through. Should it occur, carefully unplug the opening with the cleaning plug (fig. 13).
- The appliance operates in cycles: it refrigerates (then the frost settles on the rear wall), and defrosts (water flows down the rear wall)



Disconnect the appliance from the mains before cleaning by removing the plug from the mains socket or switching off the fuse. Prevent water from penetrating the control panel or the light.

- Do not use defrosting aerosols. They may cause the formation of an explosive mixture, or contain solvents which may damage the plastic components of the appliance and even be harmful to health.
- Make sure the water used for cleaning does not flow into the evaporation container through the discharge opening.
- The whole appliance, except for the door gasket must be cleaned with a mild cleaning detergent. The door gasket should be cleaned with water and wiped dry.
- Wash all the accessories (vegetable containers, door shelves, glass shelves, etc.).

Defrosting the freezer**

- It is recommended to combine defrosting the appliance with washing it.
- Excessive accumulation of ice on the freezing areas impairs the appliance's freezing capacity and increases the energy consumption.
- Defrost the appliance at least once or twice a year. In case of a higher ice build-up, defrosting must be carried out more frequently.
- If there is food in the freezer, set the knob to the max. position about 4 hours before the planned defrosting. This will ensure the possibility of storing the food at the ambient temperature for a longer time.
- After taking the food out of the freezer, put it in a container, wrap it with several layers of paper, a blanket and store it at a cool place.
- The defrosting operation should last as short as possible. Long storage of food at the ambient temperature shortens their shelf life.

In order to defrost the freezer chamber, you must take the following steps:**

- Switch of the appliance using the control panel and pull the plug out from the socket..
- Open the door and remove the food from the freezer.

- Depending on the model, pull out the drainage tube located in the bottom of the freezer compartment and place a suitable vessel underneath.
- Leave the door open, this will speed up the defrost process. Additionally, a pot with hot water (not boiling) may be placed inside the freezer compartment.
- Wash the interior of the freezer and wipe it dry.
- Switch on the appliance as per the relevant point in the manual.

Automatic fridge defrosting****

The fridge chamber has been equipped with an automatic defrosting function. However, frost may settle on the rear wall of the fridge chamber. This happens usually, when large quantities of fresh food products are stored in the fridge.

Automatic fridge defrosting****

The freezer chamber has been equipped with an automatic defrosting function (no-frost). The food is frozen in the cooled circulation air, and the moisture from the freezer chamber is discharged outside. As a result, no ice and frost is produced in the freezer and the products do not freeze on each other.

Washing the fridge and freezer chambers manually****

It is recommended to wash the fridge and freezer chambers at least once a year. This prevents the formation of bacteria and bad odours. Switch off the appliance, using button (1), remove the food from the chambers and wash them using water with a mild detergent. Then, wipe the chambers dry with a cloth.

Taking out and putting in the shelves

Slide the shelf out, then slide it in as much as possible so that its clamp could fit the guide groove (fig. 15).

Taking out and putting in the door shelf

Lift the door shelf, remove it and put it back from the top into its required position (fig. 16).



You must not put an electric heater, a heating fan or a hair dryer into the freezer by any means.

** Applicable to appliances with a freezer compartment (*/***) Not applicable to appliances with a Frost-free System.

*** Applicable to appliances with a refrigerator compartment Not applicable to appliances with a Frost-free System.

**** Applicable to appliances with a Frost-free System.

TROUBLE-SHOOTING

Problems	Possible causes	Remedies
The appliance does not work	The electric circuit is disrupted	- check whether the plug is properly inserted into the socket - check whether the power cable of the appliance is not damaged - check whether there is voltage in the socket, by plugging another appliance, e.g. a night lamp - check whether the appliance is switched on by setting the thermostat to a position above 0.
The lighting inside the chamber does not work	The bulb is loose or fused (only appliances with bulb lightning type)	- fit the bulb correctly or replace it (see section above "Replacing the interior light bulb")
Temperature inside the appliance is not low enough or too high	Incorrect setting of the adjustment knob	- reset the knob to a higher position
	The ambient temperature is higher or lower than the climate range from table with technical specification	- the appliance is adapted to operation in the climate range from table with technical specification.
	The appliance is located in a sunlit place or near heat sources	- move the appliance to another place. Observe the guidelines contained in the manual
	Too much warm food loaded at a time	- wait 72 hours until the food becomes cool (freezes) and the required temperature is reached inside the chamber
	Internal air circulation obstructed	- place the food and containers in such a way that they do not touch the rear wall of the fridge
	The air circulation at the back of the appliance is obstructed	- move the appliance min. 30 mm away from the wall
	The door of the fridge/freezer is opened too often and/or remains open for too long	- reduce the frequency of opening the door and/or shorten the time when door remains open
	The door does not close completely	- place the food and containers so that they would not interfere with door closed
	The compressor is switched on too rarely	- check whether the ambient temperature is not lower than climate class
The appliance works continuously	Door gasket inserted incorrectly	- press the gasket in
	Incorrect setting of the adjustment knob	- reset the knob to a lower position
Water collects in the lower part of the appliance	See. "Temperature inside the appliance is not low enough for description of other possible causes"	See. "Temperature inside the appliance is not low enough for description of other possible remedies"
	The water discharge opening is clogged (depending on the model)	- clean the discharge opening (see the operating manual – chapter entitled "Defrosting the fridge")
The appliance generates unusual noise	Internal air circulation obstructed	- place the food and containers in such a way as that they do not touch the rear wall of the fridge
	Incorrect levelling of the appliance	- level the appliance properly
	The appliance is touching furniture and/or other objects	- place the appliance at a location that ensures proper clearances around it

Certain sounds can be heard during normal use of the refrigerator, which do not affect its correct operation.

Sounds, which can be easily prevented:

- noise caused by the appliance which is not level - adjust the position with the adjustable turn-in front feet. Alternatively, place pads made of soft material under the rear rollers, especially when the appliance is placed on tiles.
- touching the adjacent piece of furniture - move the refrigerator away.
- creaking of the drawers or shelves - take out and put back the drawer or shelf.
- sounds of clinking bottles - move bottles apart.

Sounds heard during normal use are mainly due to operation of the thermostat, compressor (switching on) and cooling system (thermal expansion and contraction of the radiator caused by flow of the cooling agent).



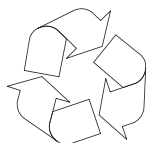
Ozone layer protection



The refrigerants and foaming agents, which are 100% free of FCKW and FKW have been used for manufacturing our product. Therefore we are helping to protect the ozone layer and prevent the increase of greenhouse effects. Also,

the innovative technology and environmentally friendly insulation help in reducing energy consumption.

Recycling of the packaging



Our packaging are made of environmentally friendly materials, which can be reused:

- The external packaging is made of cardboard/foil
- The FCKW free shape of foamed polystyrene (PS)
- Polyethylene (PE) foils and bags



ELIMINATION / DISPOSAL OF THE EQUIPMENT



If the appliance is no longer in use, cut the connecting cable off the used equipment before its scrapping. Also, remove the appliance lock or render it useless so that the appliance presents no

danger to children while being stored for disposal. This appliance is marked with a symbol of the crossed out waste container in conformance with the European Directive 2002/96/EC. Such marking informs that the equipment may not be kept together with other waste coming from the household after the period of its use. The user is obliged to dispose of the appliance at the waste collection point. The local waste collection points, shops and communal units form an appropriate system enabling the disposal of the equipment.

Handling the used electrical and electronic equipment properly contributes to the avoidance of consequences harmful to the human health and natural environment, resulting from the presence of hazardous substances and improper storage and processing of such equipment.

CLIMATE RANGE


The information about the climate range of the appliance is provided on the rated plate. It indicates at which ambient temperature (that is, room temperature, in which the appliance is working) the operation of the appliance is optimal (proper).

Climate range	Permissible ambient temperature
SN	from +10°C to +32°C
N	from +16°C to +32°C
ST	from +16°C to +38°C
T	from +16°C to +43°C

Manufacturer's Declaration

The manufacturer hereby declares that this product meets the requirements of the following European directives:

- Low Voltage Directive **2014/35/EC**,
- Electromagnetic Compatibility (EMC) Directive **2014/30/EC**,
- *ErP Directive 2009/125/EC*

and has thus been marked with the  symbol and been issued with a declaration of compliance made available to market regulators.

WARRANTY AND AFTER-SALE SERVICES

Warranty

Warranty service as stated on the warranty card

The manufacturer shall not be held liable for any damage caused by improper use of the product.

NE

ITEMS OF EQUIPMENT

	FK321.3DF	
	FK321.3DFX	
1. Light		
2. Cooling room shelves		
3. Vegetable and fruit crisper cover	Glass shelf	3
4. Vegetable and fruit crisper	Shelf over the vegetable container	1
5. Freezing drawers	Vegetable container	1
6. Removable foot	Large door shelf	1
7. Cooling room door	Medium door shelf	3
8. Door balcony	Egg tray	1
9. Freezing room door	Drawer in freezer compartment	3
10. Lighting switch		

CHANGING THE DIRECTION OF THE DOOR OPENING

Disassemble the refrigerator/freezer door

1. Use a tool to remove the screw off the hinge cover, and then remove the latter. Insert the communication line to the hole on the cabinet top (20.1)
2. Use a tool to remove the 4 screws off the upper hinge cover and then remove the latter. Pry up the door bush and small end cap cover on the door (20.2)
3. Insert the door bush and door communication line into the hole on the door and then put on the small end cap cover (20.3)
4. Use a tool to remove the 2 screws as shows in the below figure to remove the hole cover on the cabinet top and get the cabinet communication line out of the hole. Pry up the small end cap cover on the door and get out the door bush and door communication line (20.4)
5. Insert the door bush into the round hole on the door and then put on the small end cap cover (20.5)
6. Move the refrigerator door upward over 500mm to remove the door (20.6)
7. Use a tool to remove the 3 screws off the middle hinge cover and then remove the middle hinge (20.7)
8. Move the freezer door upward over 500mm to remove the door (20.8)
9. Remove the adjustable front feet under the lower hinge; use a tool to remove the 4 screws from the lower hinge and then disassemble the lower hinge (20.9)
10. Door disassembly is finished (20.10)

Assemble the door, lower hinge accessories to the corresponding positions of the other side.

11. Use a tool to get the door bush out as shown in the below figure and assemble it to the corresponding position of the other side (20.11)
12. Use a tool to remove the screws off the stopper ass as shown in the below figure and then assemble them to the other side of the door (20.12)
13. Use a tool to remove the axle and two stoppers on the lower hinge and then assemble them to the position as shown in the below figure (20.13)

Assemble the refrigerator door and freezer door to the opposite side.

14. Remove the adjustable front foot as shown below by hand and then assemble the lower hinge to the other side of the cabinet and fix the screws by using a tool (20.14)
15. Assemble the shorter adjustable front foot to the lower hinge side and adjust the height of the foot to make the refrigerator stay in level (20.15)
16. Put on the freezer door and turn the middle hinge by 180° and then assemble it to the other side of the cabinet; use a tool to screw up the 3 screws to fix the middle hinge (20.16)
17. Put on the refrigerator door and assemble the upper hinge to the other side of the cabinet; use a tool to screw up the 4 screws to fix the upper hinge. After that, connect the door communication line and the cabinet communication line and then put on the upper hinge cover and fix it using a screw.
18. Assemble the hole cover to the other side of the cabinet and use a tool to screw up the hole cover (20.17)
19. Door disassembly is finished here. Figure of door opening from the right (20.18)
20. Figure of door opening from the left (20.19)



Amica

 Service Help Line

For the UK: please call
0844 815 8880 (non-geographic number)
or **01563 557158** (standard rate call)

For Ireland: please call
0818 46 46 46 (non-geographic number)
or **01 883 2010** (standard rate call)



IO-REF-0014/4
(05.2016)