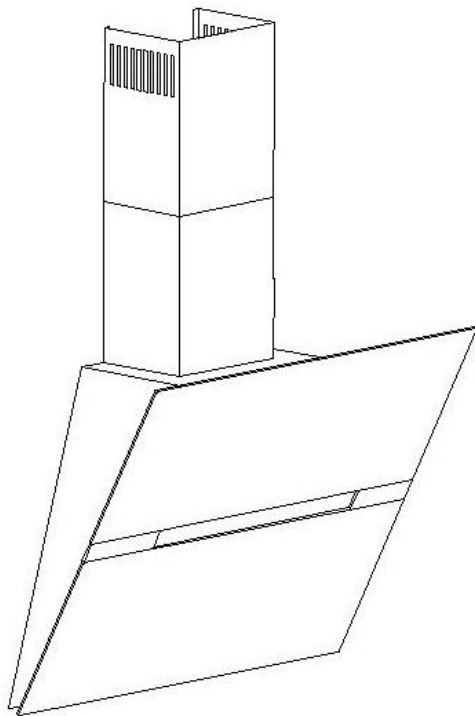


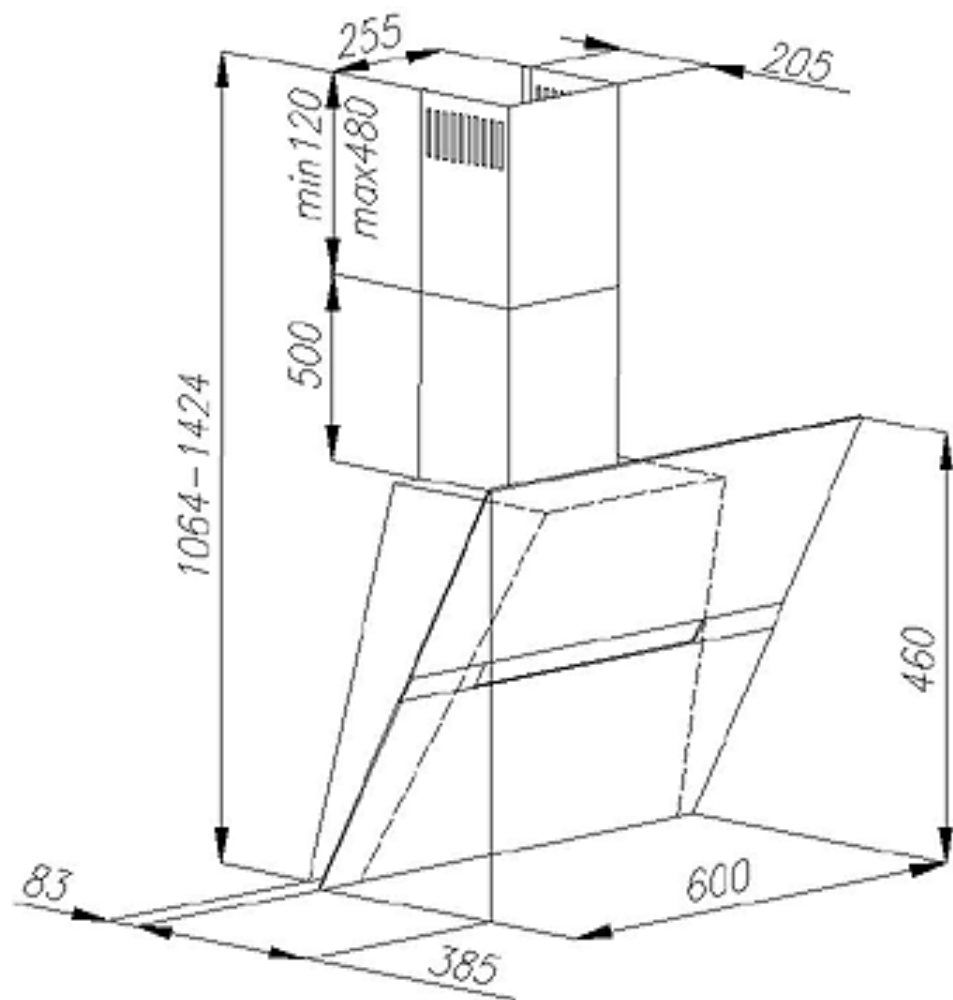
Amica

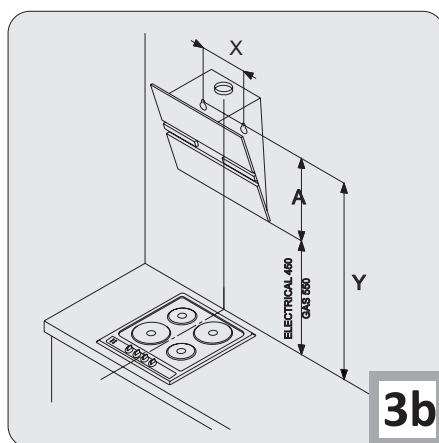
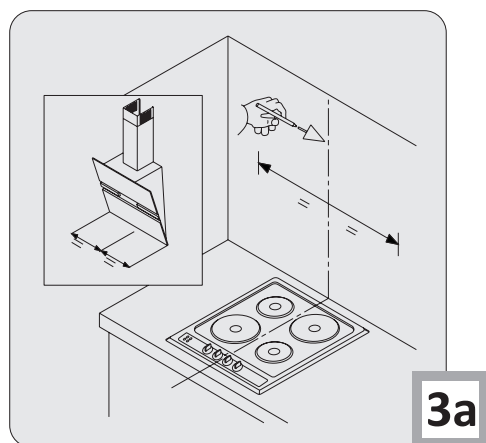
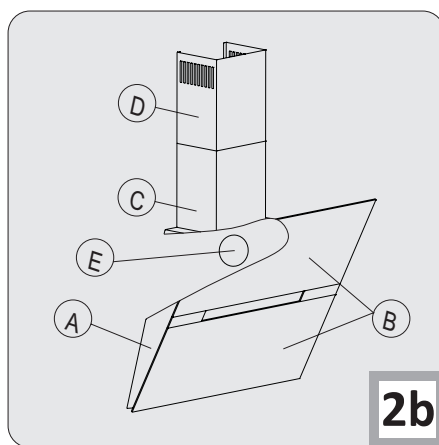
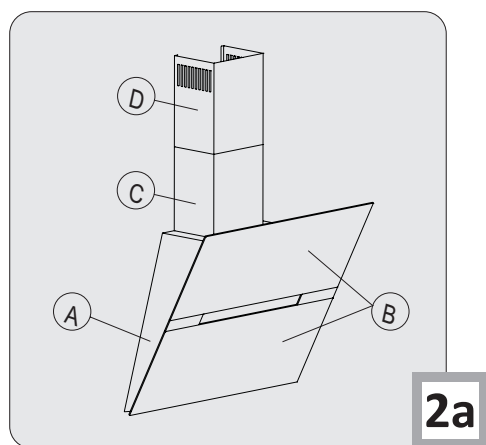
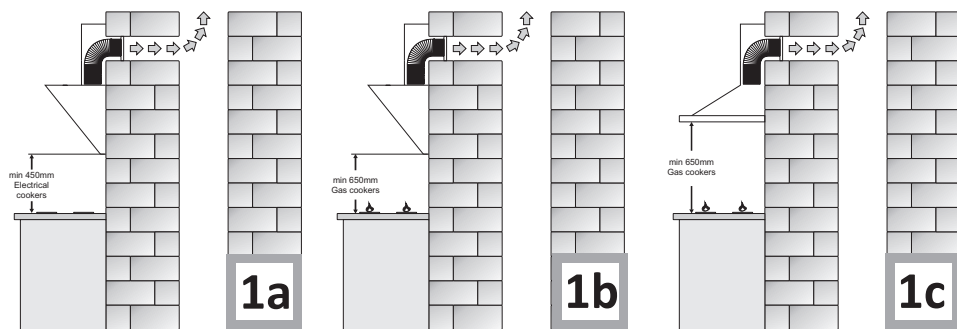


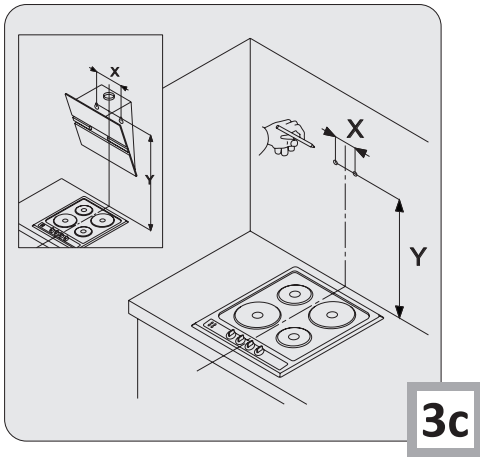
OKC 6726 IUK

Sticker with serial number of appliance

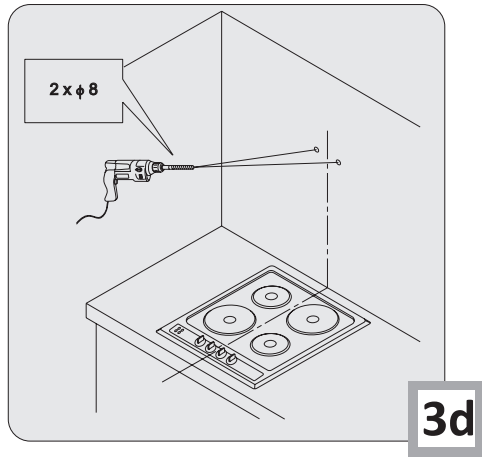
INSTRUCTION MANUAL - KITCHEN EXTRACTOR HOOD



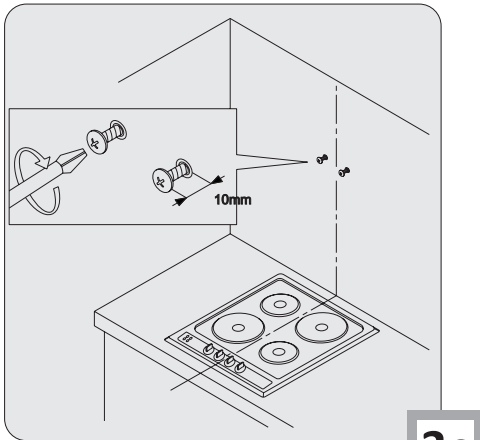




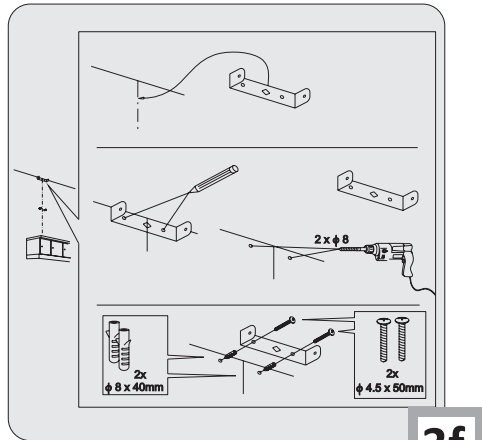
3c



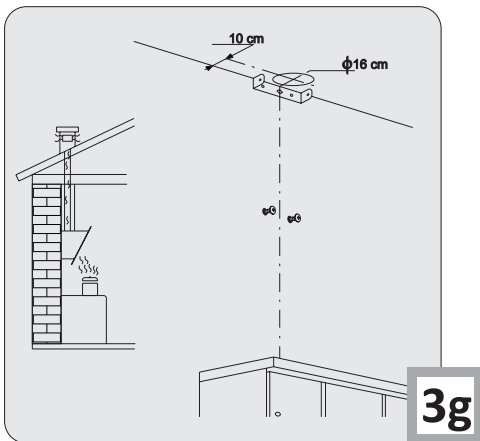
3d



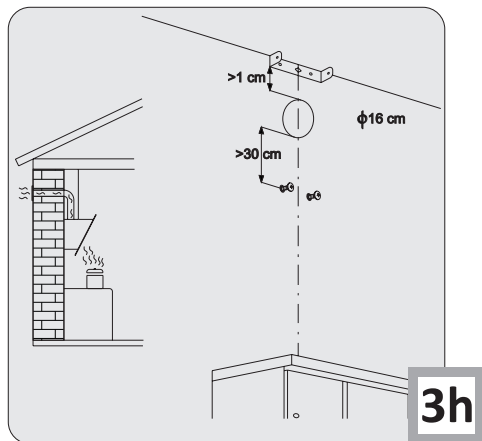
3e



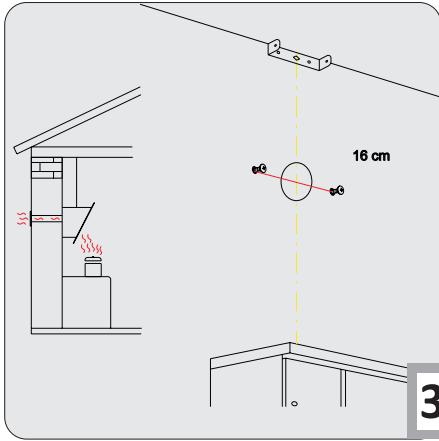
3f



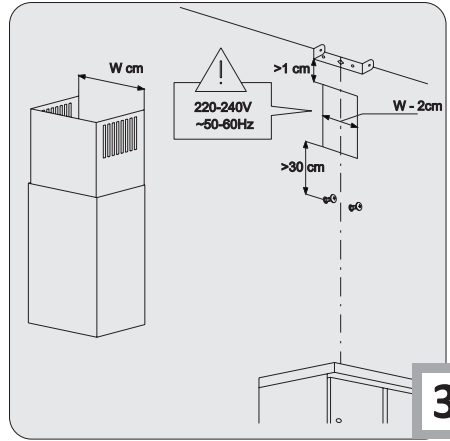
3g



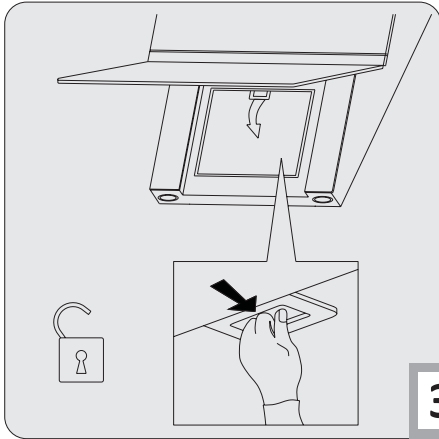
3h



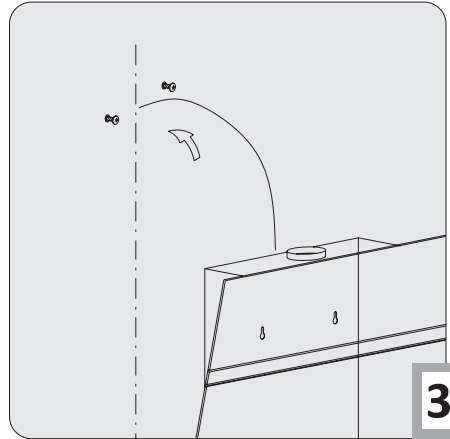
3h



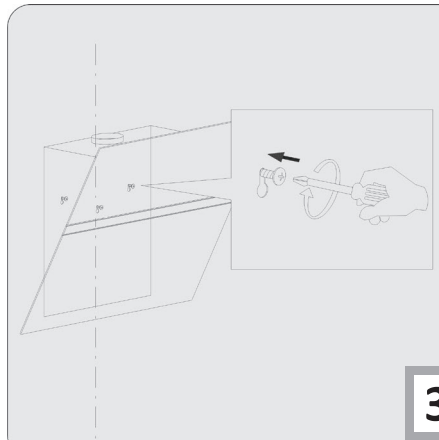
3i



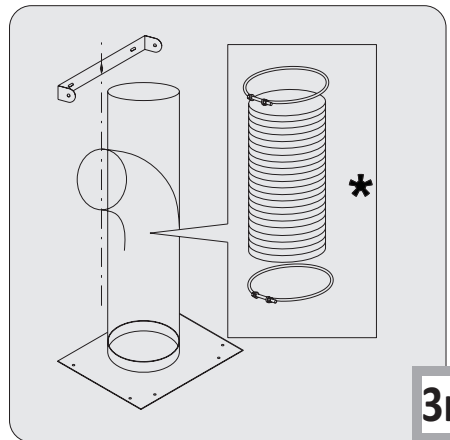
3j



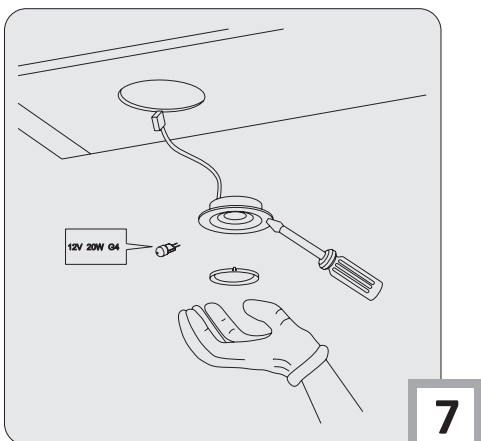
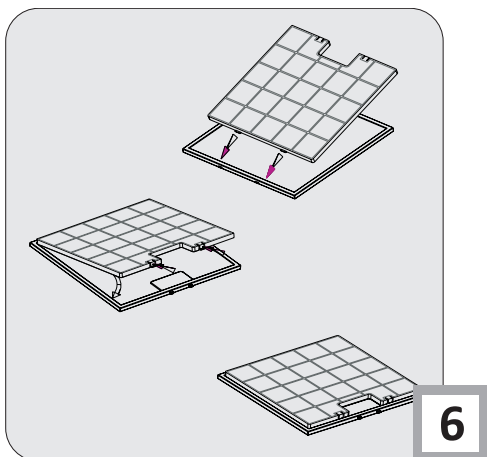
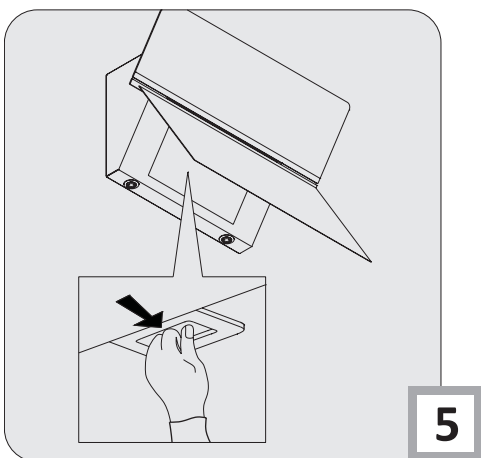
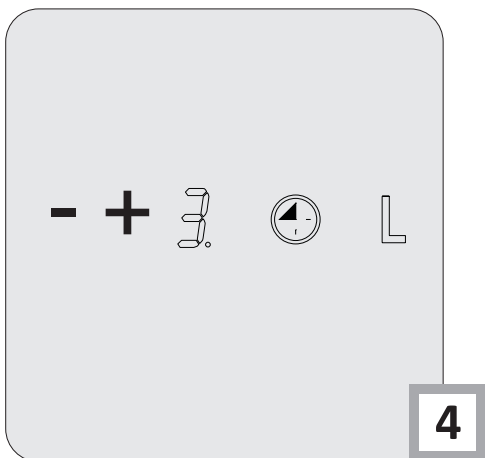
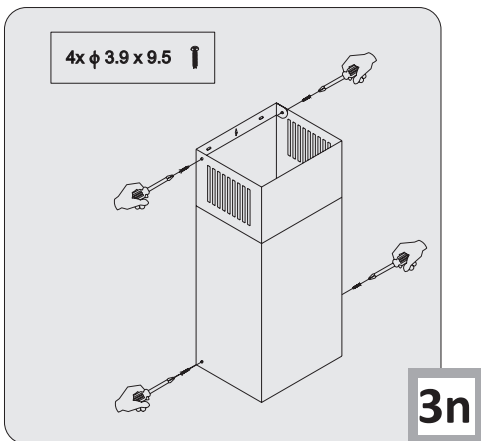
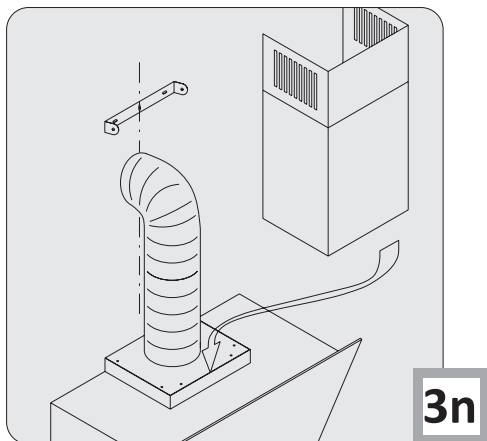
3k



3l



3m



THANK YOU FOR PURCHASING AN AMICA APPLIANCE

DEAR CUSTOMER!

You are now a user of a kitchen extractor hood. This hood has been designed and manufactured specially with a view to satisfying your expectations and it will certainly constitute a fitting element of a modern kitchen. The modern structural solutions and the newest technologies used in production of this hood guarantee its high effectiveness and good appearance.

Please read these instructions carefully before installing the hood. They will help you avoid mistakes during installation and operation of the hood.

We wish you a lot of satisfaction from choosing our kitchen extractor hood.

Symbols appearing in these instructions have the following meaning:



Important information concerning proper operation of the appliance and your personal safety.



Tips on how to use the appliance.



Risks resulting from improper operation of the appliance. Activities that must be performed by a qualified technician.



Information on how to protect the environment.



This indicates actions that must not be performed by the user.

TABLE OF CONTENTS

GUIDELINES CONCERNING THE SAFETY OF USE	9
INSTALLATION	12
OPERATION AND MAINTENANCE	13
ENVIRONMENTAL PROTECTION	15
WARRANTY AND AFTER-SALE SERVICES	15



The appliance is intended for household use only.

The manufacturer reserves the right to introduce changes which do not affect the operation of the appliance.

GUIDELINES CONCERNING THE SAFETY OF USE



- The manufacturer will accept no responsibility for any damage due to installation or operation not conforming to these instructions

- Cooker hood is designed to remove cooking odours. Do not use cooker hood for other purposes.



- Connect the cooker hood operating in extraction mode to a suitable ventilation duct (do NOT connect the cooker to smoke or flue gas ducts, which are in use). It requires installation of the air extraction duct to the outside. The duct length (typically 120 or 150mm in diameter) should not exceed 4-5 m. The air exhaust duct is also required for telescopic and under furniture cooker hoods operating in air recirculation mode.



- Cooker hood operating in air recirculation mode requires the installation of an activated charcoal filter. In this case, installing an extractor duct is not required, however it is recommended to install an air guide vane. (chimney cooker hoods only).

- The cooker hood features independent lighting and exhaust fan that can be operated at one of several speeds.



- Depending on the type, the hood is designed to be permanently attached to a vertical wall over a gas or electric stove (chimney and universal hoods); on the ceiling over a gas or electric stove (island hoods); on the vertical built in furniture over a gas or electric stove (telescopic and built-in hoods). Before installing, make sure that the wall/ceiling structure is strong enough to suspend the hood. Some hoods are very heavy.

GUIDELINES CONCERNING THE SAFETY OF USE



- For details of the installation distance above an electric hob please refer to product technical sheet. If the installation instructions of the gas cooker specify a greater distance, this must be taken into account (Fig. 1a/b/c).



- Do not leave an open flame under the hood. When the pots are removed from the burner, set the minimum flame. Always make sure that the flame does not extend outside the pot, because it causes unwanted loss of energy and a dangerous concentration of heat.



- Any food cooked in fat shall be constantly monitored, since overheated fat can ignite very easily.

- Pull the plug of the power cord from a wall socket before any filter cleaning or repair operation.



- The textile grease filter should be replaced, and the aluminium filter should be cleaned at least every one month in connection with the existing fire danger (saturated fat is very flammable).

- If any other non-electric devices are used in the same room as the hood (e.g. liquid fuel ovens, flow-through or volumetric water heaters), it is necessary to provide appropriate ventilation (air supply). Safe operation is possible when during simultaneous operation of the hood and combustion devices dependent on air supply the negative pressure of not more than 0.004 milibar is maintained at the location of these devices inside the room (this point does not apply when the hood is used as an odour absorber).



- Do not abut against the hood

GUIDELINES CONCERNING THE SAFETY OF USE



- The hood should be frequently cleaned inside and on the outside surfaces (at least once a month). See “Cleaning section” in this manual.



- If the power wire gets broken, it should be replaced with a new one in a specialist repair shop.



- Make sure the appliance can be easily disconnected from the mains, either by pulling the plug out of the mains socket, or by switching the two-pole switch off.



- This appliance is not intended for use by persons (including children) with reduced physical, sensory or mental capabilities, or lack of experience and knowledge, unless they have been given supervision or instruction concerning use of the appliance by a person responsible for their safety.

- Children should be supervised to ensure that they do not play with the appliance.



- Check if the voltage indicated on the rating plate corresponds to the local power supply parameters.

- Before installing unwind and straighten the power cord.

- **Warning!** The packaging materials (polyethylene bags, small pieces of foamed polystyrene etc.) should be kept away from children while unpacking.

- **NOTE:** Before connecting the hood to the mains power supply always check that the power cord is properly installed and is not trapped by the appliance. It is recommended to make sure the hood operates correctly before installation.

- Never use the hood without effectively mounted grating!

- The flaming of foods beneath the hood itself is severely prohibited.

- With regards to the technical and safety measures to be adopted for fume discharging it is important to closely follow the regulations provided by the local authorities.

- **WARNING!** Failure to install the screws or fixing device in accordance with these instructions may result in electrical hazards

INSTALLATION

Elements

kitchen hood consists of the following elements (Fig. 2)...

Installation

Step-by-step appliance installation is shown on Fig. 3...

Setting the air extractor mode of operation of the hood

In the extractor mode air is discharged to the outside by a special conduit. In that setting any carbon filters shall be removed. The hood should be connected to the opening discharging air to the outside by means of a rigid or flexible conduit of 120 mm diameter, which should be purchased in a shop selling installation materials.

A qualified installer should be commissioned to make the connection.

Setting the odour absorber mode of operation of the hood

In this option filtered air returns to the room through openings in the front of the hood. In this setting it is necessary to install the carbon filter. It is recommended to install the air guide (availability depending on model).

In some universal hoods you need to switch lever inside the hood (Fig. 8) to switch between the extraction and air recirculation modes. The cleaned air is returned to the room through the holes in the top of the unit.

Furniture and telescopic cooker hoods operating in air recirculation mode require installation of the exhaust duct. The other end of the duct should be directed to the room as it will discharge filtered air.

Fan speeds

The lowest and medium speeds should be used under normal conditions and with low concentration of fumes. The maximum speed should be used in case of high concentration of kitchen fumes, e.g. during frying or grilling.

OPERATION AND MAINTENANCE

Use control panel to control your cooker hood (Fig. 4)

OPERATIONAL SAFETY

All safety instructions included in chapter IV must be observed. Textile grease filters and carbon filters should be replaced and aluminium filter should be cleaned according to manufacturer's instructions, or more frequently in periods of intensive use (more than 4 hours a day). If a gas cooker is used it is forbidden to leave the flame uncovered. When removing pots from gas burners set the flame to its minimum level. Always make sure that flame does not extend outside the pot. Such a situation causes undesired energy losses and dangerous heat build-ups. The hood should not be used for other purposes than those for which it was designed.

OPERATION

2.1 Control Panel

The cooker hood can be controlled using a control panel (Fig. 4)

- "-" and "+" touch sensors control cooker hood fan speed in the range from 1 to 3,
- "+" touch sensor increases cooker hood fan speed
- "-" touch sensor reduces cooker hood fan speed

- Timer touch sensor activates fan timer (max 90 min.)
- This touch sensor is used to clear the flashing "F" or "C", and also to set the child lock safety device (details below),
- Lights "L" touch sensor switches cooker hood lights on/off independently of fan operation. Press for a short time to switch on/off lights. Press and hold for approximately 2 seconds to reduce maximum light intensity by one level.

Sets the delay time remaining until the fan is turned off

- This cooker hood has a timer function, which controls fan operation. It can be programmed to automatically switch off the fan after 10 to 90 minutes in 10 minutes intervals.

- In order to activate the timer function set the cooker hood fan at a required speed by pressing the "+" touch sensor and then touch the timer (clock) touch sensor. The display will show a flashing 0 to indicate that timer setup mode is activated. Now select the delay time to switch off the cooker hood fan by touching "+", keeping in mind that the number displayed must be multiplied by the 10 minute interval

(For example 1=10 min, 2=20 min, 3=30 min, and so on)

- Once the required delay time is set, confirm it by touching the timer (clock) symbol again. The display will stop flashing and indicate current fan speed. A small flashing dot by the value corresponding to fan speed indicates that timer is counting down.

To cancel the fan timer function, touch the timer (clock) sensor while the countdown timer is running.

The cooker hood is equipped with an electronic filter saturation indicator:

- Replace the charcoal filter – "C" is displayed (220 hours of operation),

- Clean the aluminium filter – "F" is displayed (100 hours of operation),

Neither of these indications affects cooker hood operation, however when C or F is shown, fan speed indication (0 to 3) is not displayed until the C or F symbol is cleared.

Once the filter is replaced or cleaned the symbol can be cleared by touching the timer (clock) sensor.

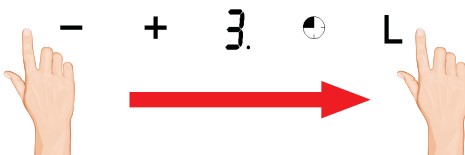
The cooker hood has a child lock safety device. This function is also useful when cleaning the cooker hood control panel:

- in order to activate/deactivate the child lock safety device, touch and hold for approximately 3 seconds the timer (clock) sensor.



Note: The timer function must be activated within 20 seconds. If no action is taken the cooker hood will switch to normal operation mode. Electronics protected with a 250V-1.6 A fuse / quick acting (5x20 glass fuse-element).

When the control panel shows dot (without any additional symbols), hood is in StandBy mode. To activate sensor control panel, please move your finger horizontal on the panel on all sensors from left.



Maintenance

Regular maintenance and cleaning of the device will ensure faultless operation, and help extend the life of the unit. Attention should be paid to replacing grease and carbon filters according to instructions.

Aluminium grease filter

Cleaning

For normal hood operation, aluminium grease filter should be cleaned every month in the dishwasher or by hand using a mild detergent or liquid soap.

To replace:

Dismantling of aluminium grease filter is shown on Figure 5.

Acrylic filter is used in some models. This filter should be replaced at least once every two months or more frequently if the appliance is used intensively.

Charcoal filter (only the recirculation version)

Operation - Carbon filters can be used only when the hood is not connected to any ventilation duct. Filters with active carbon can absorb odours until they are saturated. They cannot be washed or re-generated and should be replaced at least every 2 months or more frequently in case of very intensive use.

Replace:

Dismantling of charcoal filter is shown on Figure 6.

Lighting

See Figure 7 for details how to replace lights. Use incandescent / halogen / LED modules of the same specification as those factory-installed in the appliance.

Cleaning

Normal hood cleaning:

- Do not use a soaked cloth, sponge, or water jet.
- Do not use solvents or alcohol, as they may tarnish lacquered surfaces.
- Do not use caustic substances, especially for cleaning stainless steel.
- Do not use a rough or abrasive cloth.

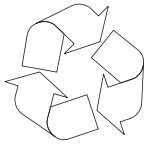
It is recommend to use a damp cloth and a neutral detergent.

Aluminium filters may be washed in the dishwasher. The colour of aluminium filters may change after several washings. This is normal and it is not necessary to renew the filters.

ENVIRONMENTAL PROTECTION



Recycling of the packaging



Our packaging is made of environmentally friendly materials, which can be reused:

- The external packaging is made of cardboard/foil
- The FCKW free shape of foamed polystyrene (PS)
- Polyethylene (PE) foils and bags



ELIMINATION / DISPOSAL OF THE EQUIPMENT



If the appliance is no longer in use, cut the connecting cable off the used equipment before scrapping. We also recommend that the appliance is locked or rendered it useless so that the appliance presents no danger to children while being stored for disposal. This appliance is marked with a symbol of the crossed out waste container in conformance with the European Directive 2002/96/EC. Such marking informs that the equipment may not be kept together with other waste coming from the household after the period of its use. The user is obliged to dispose of the appliance at the waste collection point authorised by the local authority. The local waste collection points, shops and communal units form an appropriate system enabling the disposal of the equipment.

Handling the used electrical and electronic equipment and any hazardous substances contained therein in a correct manner is vital to avoid damage the local natural environment. Therefore care and responsibility should always be taken in the disposal of these products

WARRANTY AND AFTER-SALE SERVICES

Warranty


Warranty service as stated on the warranty card

The manufacturer shall not be held liable for any damage caused by improper use of the product.

Manufacturer's Declaration

The manufacturer hereby declares that this product meets the requirements of the following European directives:

- Low Voltage Directive **2006/95/EC**,
- Electromagnetic Compatibility (EMC) Directive **2004/108/EC**,
- *ErP Directive 2009/125/EC*

and has thus been marked with the  symbol and been issued with a declaration of compliance made available to market regulators.

Amica

 Service Help Line

For the UK: please call
0844 815 8880 (non-geographic number)
or **01563 557158** (standard rate call)

For Ireland: please call
0818 46 46 46 (non-geographic number)
or **01 842 8222** (standard rate call)